

OUR TECHNOLOGY

Efficiency

	Natural Gas		LPG Gas	
	High Flame	Low Flame	High Flame	Low Flame
Net Efficiency	81%	81%	83%	83%
Net Heat Output	5.5kW	2.0kW	5kW	2.0kW

Please Note: These stoves have either a Natural or LPG Gas burner fitted depending on your specification. Both types of fuel can not be burned by the same stove.

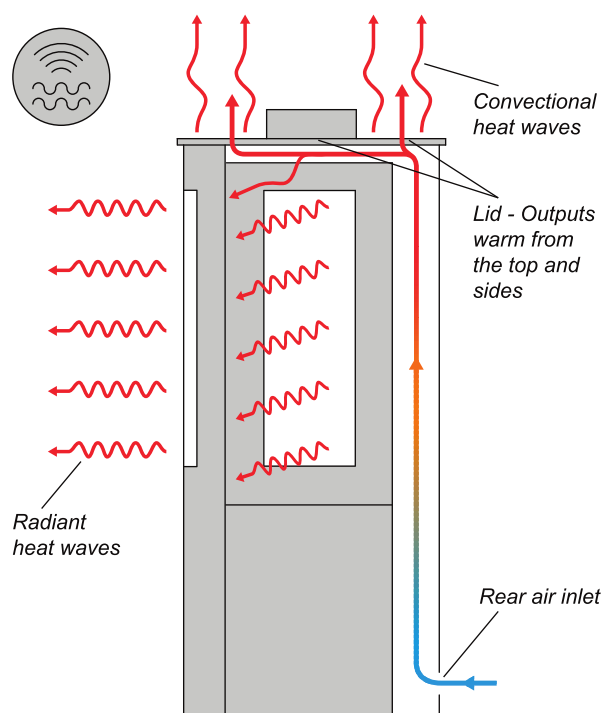
Distance To Combustibles

	Minimum clearance from combustible materials		Minimum clearance from non-combustible materials	
	Without Side Windows	With Side Windows	Without Side Windows	With Side Windows
Rear	75	75	50	50
Side	300	500	50	50
Front	75	75	75	75

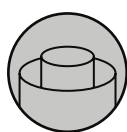
When fitting a gas stove appliance the installation must comply with Gas Safe and building regulations.

Heat Distribution Output

Our stoves have a unique feature of radiant and convectional heat output. The diagram below illustrates how the stove draws in cool air from the room into the bottom of the stove and gently heats it up, outputting it as convectional heat from the top and sides.



Feature Guide



Balanced Flue

A twin walled flue, the inner tube expels emissions and the outer tube draws in clean air - See our flue kits opposite.



2 Year Warranty

All our gas stoves come with a 2 year manufacturers warranty, giving you peace of mind with your purchase. (Exclusions apply)



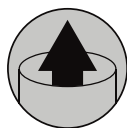
Single Burner

Our Single burner gives our stoves that beautiful dancing flame, giving an authentic fire feel.



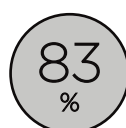
Remote Operation

A hand held remote allowing full control of all the stoves features.



500mm Top Exit

These stoves have a balanced flue top exit suitable for a flue pipe with a minimum height of only 500mm to an elbow external exit from the room.



83% Efficiency

Our stoves have been tested and achieved a super-high efficiency score making our stoves A Rated.



5.5kW Heat Output

A huge heat output, comparable to a wood burning stove but at a fraction of the running costs and emissions.



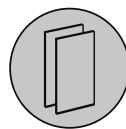
Thermostat Control

With 7 Day timer



Rear Distance To Combustibles

Our stoves have a rear distance to combustibles of just 75mm, giving you more freedom of placement.



Double Glazed

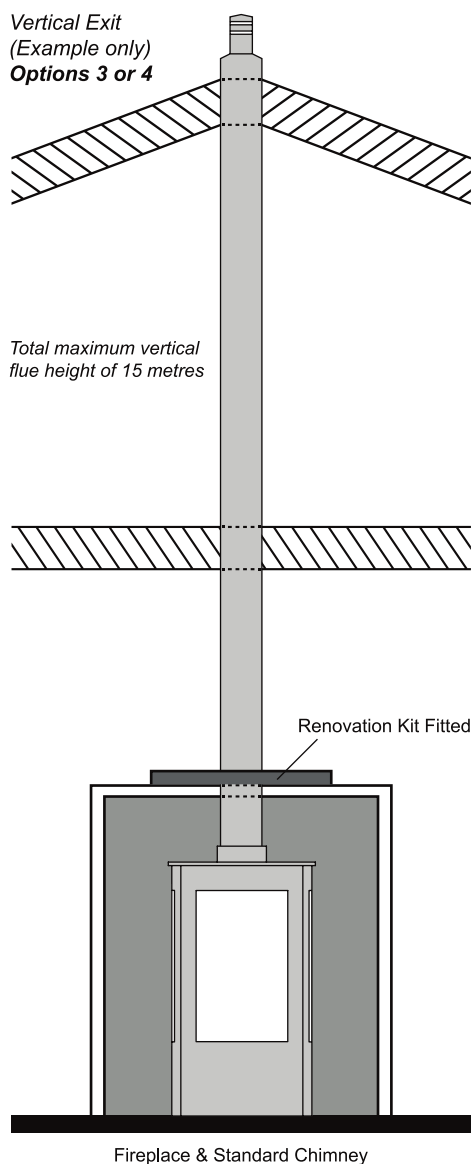
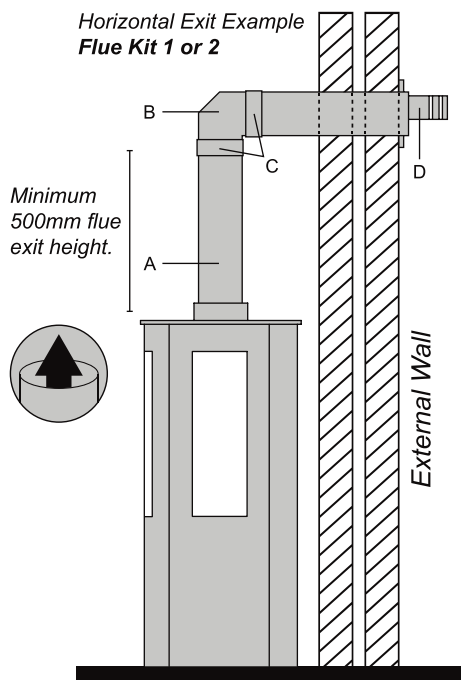
All our gas stoves feature double glazed ceramic glass panels that give you a beautiful panoramic view of the fire.



Radiant & Convectional

All our gas stoves are designed to produce radiant and convectional heat, allowing a better heat distribution into the room.

CONNECTION

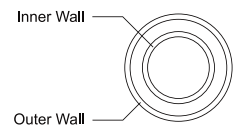


Gas Balanced Flue System

Our stoves use a modular stainless steel concentric balanced flue system, comprising of an inner and outer flue tube. Natural convection draws the clean air from outside into the stove via the outer tube, while the inner tube expels the combustion gases out.

Our standard flue kits come in two different options for horizontal exits through walls, 500mm length or 1000mm length. All our flue kits are painted black to match the stoves.

Flue Cross Section



Fitting using our concentric flue:

1. Balanced Flue Kit 1

Qty	Ref	Description
1	A / 500	500mm Vertical Length
1	B	90 Degree Elbow
2	C	Integrated Locking Bands
1	D	100/150 Horizontal Terminal (Rain Cap End) From 360 - 630 mm Adjustable vertical height.

Must be greater than horizontal length.

2. Balanced Flue Kit 2

Qty	Ref	Description
1	A / 1000	1000mm Vertical Length
1	B	90 Degree Elbow
2	C	Integrated Locking Bands
1	D	100/150 Horizontal Terminal (Rain Cap End)

All flue components are powder coated black to match the stove.

3. As well as exiting through an external wall via a 90 degree elbow joint using Flue Kit 1 or 2, you can also exit vertically through the ceiling and roof (up to 15 metres) using our concentric balanced flue system. The fittings for this are not included in our standard kits, please contact your retailer for further details.

Fitting into an existing chimney:

4. Alternatively if you're not fitting your stove using one of our concentric flue systems (options 1 to 3), you can also install your stove into an existing fireplace with a suitable chimney. Therefore any of our gas stoves can be fitted into an existing fireplace opening using a conventional flue system, but a "Renovation Kit" must be used. Please contact your retailer for further details.

Specifications

Diameter Range (mm):	Inner - 100mm, Outer - 130mm
Inner Liner Material:	0.4mm Grade 304L Stainless Steel
Outer Liner Material:	0.4mm Grade 304L Stainless Steel
Joint Method:	Push fit and locking band
CE Approved:	Yes
Minimum Vertical Flue Height:	0.5m
Maximum Vertical Flue Height:	15m

We also offer a range of other painted flue parts so if Kit 1 or Kit 2 does not fully meet your installation needs please call us for more details.